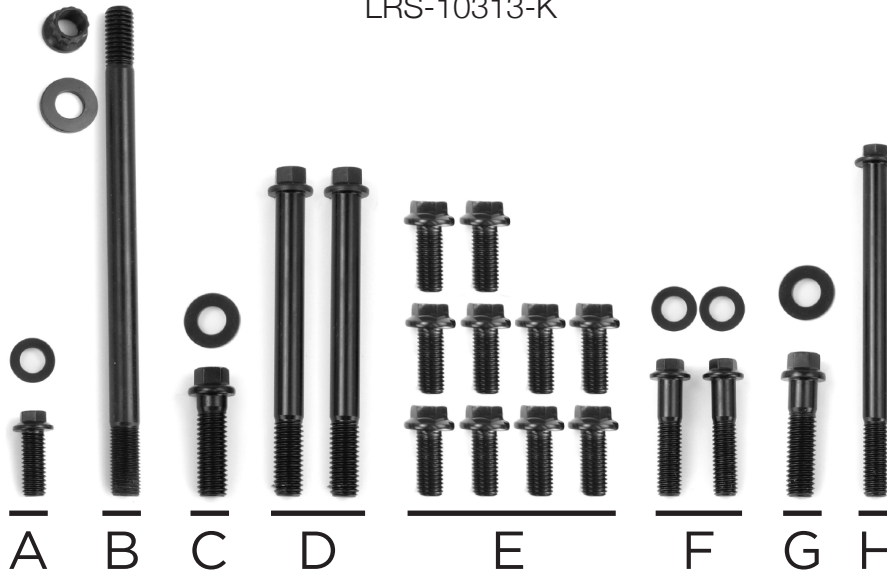


**1985-93 MUSTANG ENGINE ACCESSORY
 BRACKET KIT W/ HARDWARE - 5.0L**

LRS-10313-K



1. Install stud “B” into upper R/H hole location on the driver’s side head. (See Figure 1) (See the note below)
*Note: LH/RH Standing in front of car**

2. Slide rear A/C bracket (LRS-9998927) over the stud “B” using hole #1 indicated in Figure 2.

3. Install bolt “C” through the hole to mount the A/C bracket. (See Figure 2)

4. Install the power steering pump to the P/S mounting bracket (LRS-9998926) using qty 3 of bolt “E”.

Note: Power steering pump not shown for clarity.

5. Slide the top hole #2 of the power steering pump bracket assembly over stud “B”. (See Figure 3)

6. Install front A/C mounting bracket (LRS-9998929) over stud “B” as well as the 3 water pump studs. (See Figure 4) (See the note below)

Note: the nuts that attach the A/C Mounting bracket to the water pump studs are included with the Water Pump Timing cover Hardware Kit (LRS-8501BHDW) that is sold separately.

7. Install qty 1 of bolt “D” into hole #3 indicated in Figure 4.

8. Install rear A/C support bracket (LRS-9998928) to the A/C compressor using qty 2 of bolt “E”.

Note: A/C compressor not shown for clarity.

9. Install A/C compressor with rear A/C support bracket (LRS-9998928) fully installed to the rear A/C bracket (LRS-9998927) with qty 2 of bolt “E”. (See Figure 5)

10. Use qty 1 of bolt “G” to secure alternator bracket on passenger’s side head using hole #4 as shown in Figure 6.

11. Use qty 2 of bolt “F” to finish attaching alternator bracket to engine using bolt holes #5 as shown in Figure 6.

12. Qty 1 of bolt “D” will be used to mount lower alternator pivot in hole #6. (See Figure 6)

Continued on Next Page >

13. Qty 1 of bolt "H" will be used to mount smog pump pivot in hole #7. (See Figure 6)

14. Slide rear smog pump support bracket (LRS-9998930) over timing pointer stud and secure with timing pointer nut. (See the note below)

Note: Timing pointer hardware is included with the water pump timing cover hardware kit (LRS-8501BHDW) that is sold separately.

15. Use qty 1 of bolt "A" to secure rear smog pump support bracket (LRS-9998930) to the back of the smog pump.

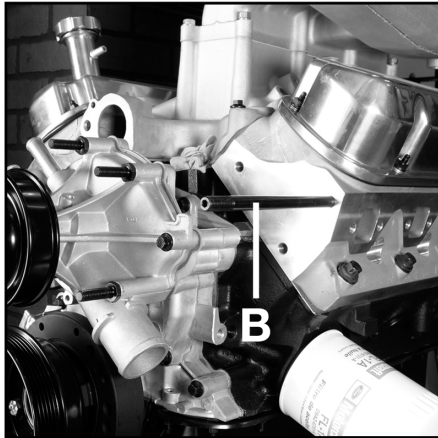


FIG.1

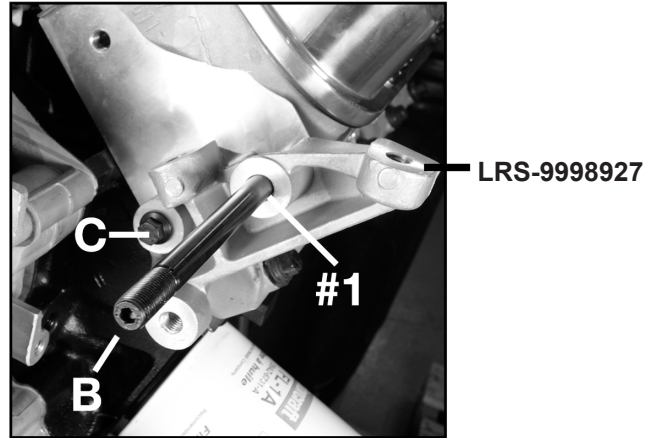


FIG.2

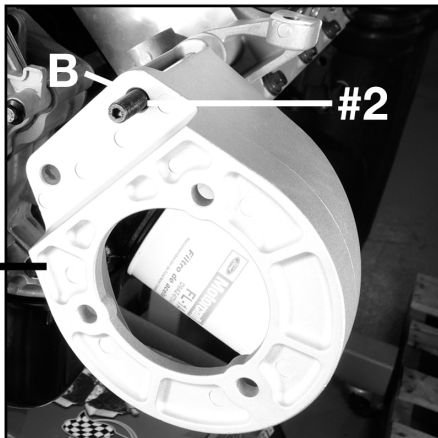


FIG.3

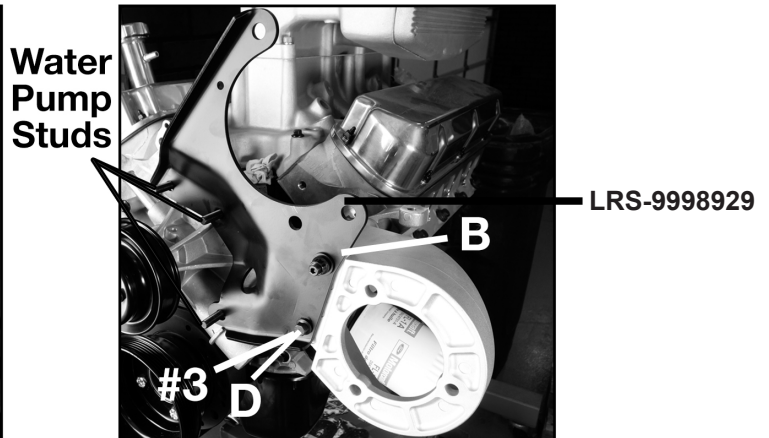


FIG.4

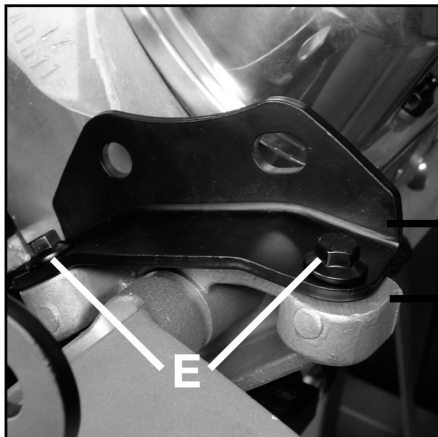


FIG.5

Continued on Next Page >

FIGURE 7

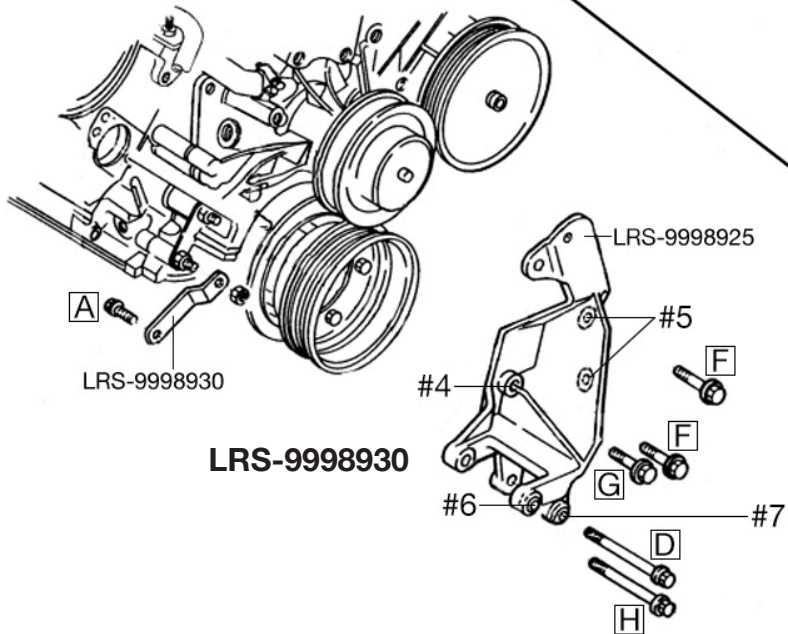
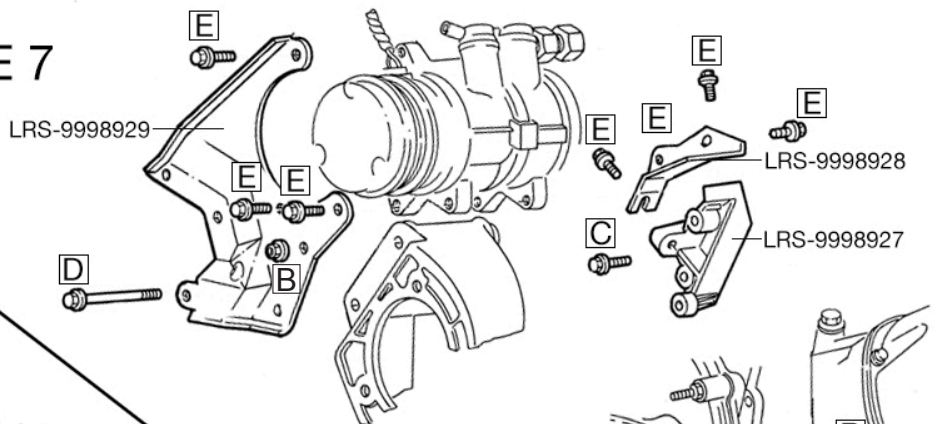


FIGURE 6



Disclaimer

By using this instruction sheet, you agree that other than as expressly stated in the LMR Terms and Conditions (Agreement) or as required by the laws of the state of Texas or applicable United States federal law (Applicable Law), this instruction sheet is provided "AS IS" and LMR does not make any specific representations or warranties about this instruction sheet. For example, LMR does not make any warranties about: (a) the content provided in this instruction sheet; (b) any specific features of this instruction sheet, or its accuracy, reliability, or ability to meet your needs. The knowledge and experience level of users of this instruction sheet vary widely; if you do not have adequate knowledge and experience to use this instruction sheet and safely accomplish the tasks described, please hire a professional to assist you for your safety and the safety of your vehicle and others.

Limitation of Liability

Except as required by Applicable Law, LMR, its affiliates, officers, directors, employees and agents will not be responsible for any loss of profits, revenues, business opportunities, goodwill, or anticipated savings, indirect or consequential loss, punitive damages caused by:

- Errors, mistakes, or inaccuracies in this instruction sheet
- Personal injury or property damage resulting from your use of this instruction sheet

This limitation of liability provision applies to any claim regardless of whether the claim asserted is based on warranty, contract, tort or any other legal theory.

Use this information at your own risk. Any injury, damage, or loss that may result from use of the tools, equipment, products, or information contained in this instruction sheet is the sole responsibility of the user.

Indemnity

To the extent permitted by Applicable Law, you agree to defend, indemnify and hold harmless LMR, its Affiliates, officers, directors, employees, agents, information providers, licensors, and other partners from and against any and all claims, damages, obligations, losses, liabilities, costs or debt, and expenses (including but not limited to attorney's fees) arising from: (i) your use of and access to this instruction sheet; (ii) your violation of any term of the Agreement; (iii) your violation of any third party right, including without limitation any copyright, property, or privacy right; or (iv) any claim that your actions caused damage to LMR or a third party. The defense and indemnification obligations will survive this Agreement and your use of this instruction sheet.